

## Product Specifications Sheets



Model No.	Description	Length	Depth	Height	Voltage	Amps	HP/BTUs	Power Cord	Est. Ship Weight
<b>SC-OP35E-3S-LS</b>	Self Contained	39"	34.5"	78.5"	115	16	1/2	5-20P	700
<b>SC-OP35E-4S-LS</b>	Self Contained	51"	34.5"	78.5"	115/208-230	13	3/4	L14-20P	965
<b>SC-OP35E-6S-LS</b>	Self Contained	75"	34.5"	78.5"	115/208-230	16	1	L14-20P	1175
<b>R-OP35E-3S-LS</b>	Remote	39"	34.5"	78.5"	115	2	4750	No	575
<b>R-OP35E-4S-LS</b>	Remote	51"	34.5"	78.5"	115	3	7080	No	790
<b>R-OP35E-6S-LS</b>	Remote	75"	34.5"	78.5"	115	4	9400	No	1000
<b>R-OP35E-8S-LS</b>	Remote	99"	34.5"	78.5"	115	6	13084	No	1580
<b>R-OP35E-10S-LS</b>	Remote	123"	34.5"	78.5"	115	8.6	16355	No	1790
<b>R-OP35E-12S-LS</b>	Remote	147"	34.5"	78.5"	115	11.2	19626	No	2000

MODEL NUMBER SUFFIX - B = Black W = White SS = Stainless Steel

- Cases are designed to operate at 75 degrees Fahrenheit and 55% relative humidity
- Specification subject to change without notice



### Standard Specifications and Optional Features

#### CONSTRUCTION

- UL Classified to ANSI/NSF 7
- Foamed in place CFC free foam
- Heavy gauge steel super structure
- Multi deck
- Endless design allows for continuous line up

#### INTERIOR

- White, black, or stainless steel end panels
- Removable white, black, or stainless steel floor pans
- White, black, or stainless steel perforated rear wall (for even air distribution)
- Full length lighting at top of unit
- 3 levels of lit shelving
- 4 levels of product display
- Full length mirror to enhance product display
- Stylish price tag molding on each shelf

#### EXTERIOR

- White, black, or stainless steel ends and front
- Removeable front grill allows for cleaning and servicing
- 1" bumper
- Choice of end panels

#### FINISHES

- White, black, or stainless steel end panels
- White, black, or stainless steel front rail
- White, black, or stainless steel end trim
- Laminate, and custom paints available
- Coated galvanized rear

#### LIGHTING

- 1 row at inside top of unit
- 3 rows of lighted shelving

#### ELECTRICAL REQUIREMENTS

- Unit comes with cord and plug
- UL/CUL listed
- See Tech page for details on voltage

#### REFRIGERATION

- R404A expansion valve system
- Low velocity fans located below deck area (to insure even flow of air)
- Electronic Control System with automatic air defrost to Maintain Balanced Temperatures
- New high efficiency air screen technology
- Self contained system
- Copeland hermetic unit
- Remotes available

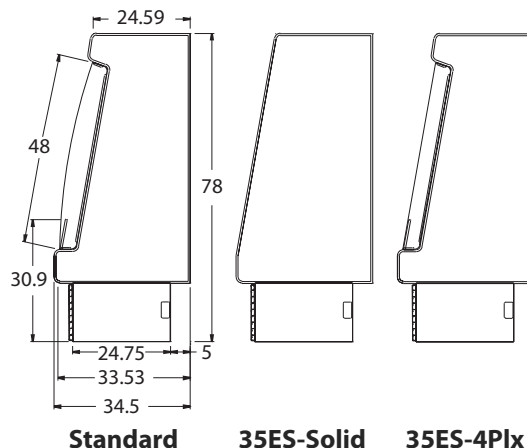
#### OPTIONAL FEATURES

- LED lights
- Night covers
- Security cover
- Peg bars
- Step shelves
- Electric condensate pan, with separate plug
- Insulated divider for line ups
- Plexiglas divider for line ups
- 3 Different end panel choices
- Stainless steel, laminated or paint
- Colored bumpers
- Digital thermometer

#### Important Note:

**All refrigerated cases are designed to operate in an environment of 75 degrees and 55% relative humidity. Product must be cooled before being displayed within the case.**

#### DRAIN IS REQUIRED



**Technical Data**

Model No.	Remote or Self Contained			Remote Only			
	OP35E-3S-LS	OP35E-4S-LS	OP35E-6S-LS	OP35E-8S-LS	OP35E-10S-LS	OP35E-12S-LS	
Length with (2) ends	39"	51"	75"	99"	123"	147"	
Length without ends	36"	48"	72"	96"	120"	143"	
Height with ends	78.5"	78.5"	78.5"	78.5"	78.5"	78.5"	
Height without ends	78"	78"	78"	78"	78"	78"	
Depth with ends	35"	35"	35"	35"	35"	35"	
Depth without ends	34.5"	34.5"	34.5"	34.5"	34.5"	34.5"	
Endless design	YES	YES	YES	YES	YES	YES	
<i>(Dimensions are +/- 1/4")</i>							
Operating temperature	38°F to 41°F	38°F to 41°F	38°F to 41°F	38°F to 41°F	38°F to 41°F	38°F to 41°F	
Refrigerant (exp. valve)	SC R404A	R404A	R404A	R404A	R404A	R404A	
Compressor size HP	SC 1/2	1/2	1				
Defrost per day (24 hours)	Air Defrost	3 @ 30 min.	3 @ 30 min.	3 @ 30 min.	3 @ 30 min.	3 @ 30 min.	
BTU's at +20°F Evap. Temp.	R 4750	7080	9400	13084	16355	19626	
Voltage	SC 115	115/208-230	115/208-230				
Amperage	SC 16	13	16				
Remote Voltage	R 115	115	115	115	115	115	
Amperage, lights only	R 2	3	4	6	8.6	11.2	
Cord and plug	SC 5-20P	L14-20P	L14-20P				
	R NO	NO	NO	NO	NO	NO	
Exterior color		W, B, SS	W, B, SS	W, B, SS	W, B, SS	W, B, SS	
Interior color		W, B, SS	W, B, SS	W, B, SS	W, B, SS	W, B, SS	
# of rows / shelves		3 / 3	3 / 3	3 / 6	3 / 6	3 / 9	
Shelf size depth		(1) 14" (1) 16" (1) 18"	(1) 14" (1) 16" (1) 18"	(2) 14" (2) 16" (2) 18"	(2) 14" (2) 16" (2) 18"	(3) 14" (3) 16" (3) 18"	(4) 14" (4) 16" (4) 18"
<b>Shipping Info</b>							
Height		86"	86"	86"	86"	86"	
Depth		44"	44"	44"	44"	44"	
Length		61"	61"	86"	109"	135"	
Gross weight SC/R		700/575	965/790	1175/1000	x/1580	x/1790	
Cubic feet		130	130	184	233	288	

**(ALL WHITE OR ALL BLACK, NO EXTRA CHARGE—IF COLORS ARE MIXED AN ADDITIONAL CHARGE WILL APPLY)**

**Prefix**

SC = Self Contained  
R = Remote

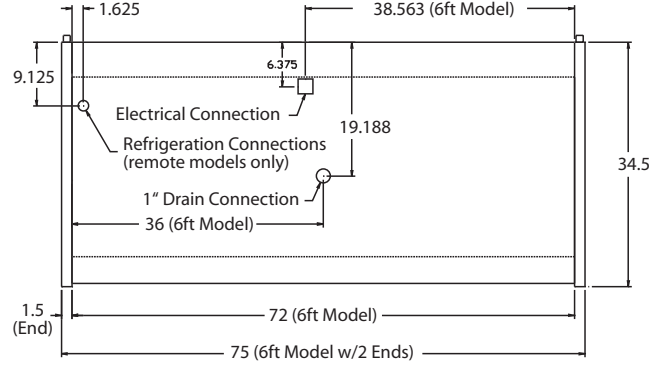
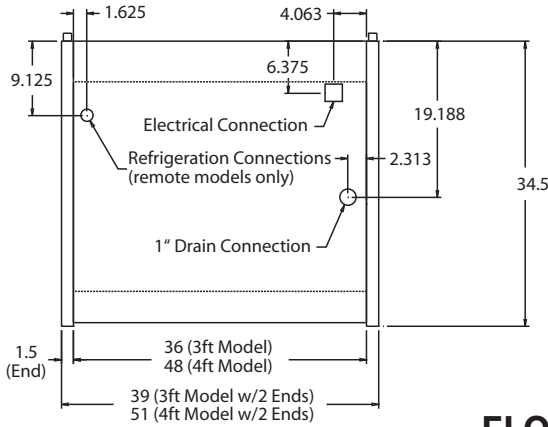
**Suffix**

B = Black  
W = White  
SS = Stainless Steel  
LS = T8 lighting  
LED = LED lighting

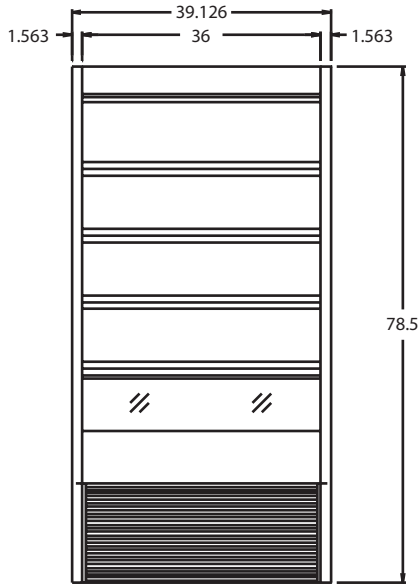
- Cases are designed to operate at 75 degrees Fahrenheit and 55% relative humidity
- Cases are equipped with drains; check your local building codes for connection requirements.
- Specification subject to change without notice



**Technical Data • Side View • Plan View**

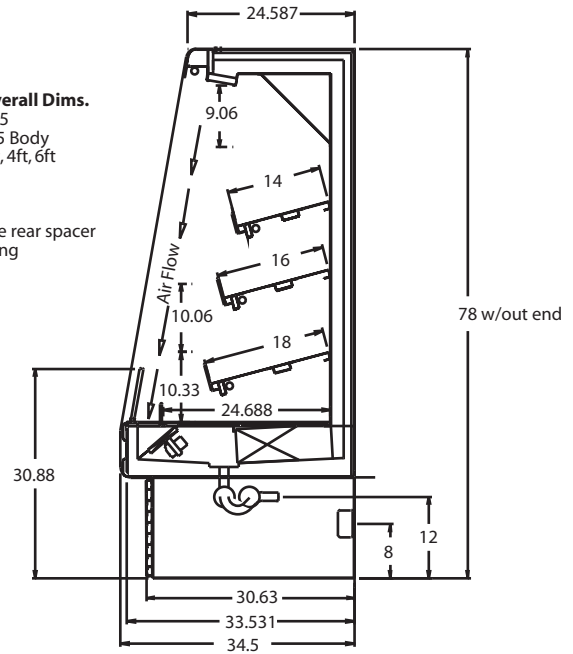


**FLOOR PLANS**



**FRONT VIEW  
3 FT MODEL**

**Cabinet Overall Dims.**  
Height - 78.5  
Depth - 34.5 Body  
Length - 3ft, 4ft, 6ft  
1- 14" shelf  
1- 16" shelf  
1- 18" shelf  
Removeable rear spacer  
for air venting



**SIDE VIEW**

