

## GR Series - Hinged Glass Doors Top Mount Refrigerators - 83"H



| Model No.            | Description | Length  | Depth  | Height<br>w/casters | Voltage     | Amps    | HP  | Power<br>Cord | Est. Ship<br>Weight |
|----------------------|-------------|---------|--------|---------------------|-------------|---------|-----|---------------|---------------------|
| <b>Refrigerators</b> |             |         |        |                     |             |         |     |               |                     |
| <b>GR22</b>          | One Door    | 26.50"  | 36.50" | 83"                 | 115         | 10.2    | 1/3 | 5-15P         | 330                 |
| <b>GR48</b>          | Two Door    | 52.25"  | 36.50" | 83"                 | 115         | 11.0    | 1/3 | 5-15P         | 520                 |
| <b>GR75</b>          | Three Door  | 78.00"  | 36.50" | 83"                 | 115         | 13.8    | 1/2 | 5-20P         | 720                 |
| <b>GR102</b>         | Four Door   | 103.75" | 36.50" | 83"                 | 115/208-230 | 6.4/7.1 | 3/4 | L14-20P       | 980                 |

MODEL NUMBER PREFIX - SC = Self-contained R = Remote  
 MODEL NUMBER SUFFIX - W = White B = Black S = Stainless Steel LED = LED - lighting  
 • Cases are designed to operate at 75 degrees Fahrenheit and 55% relative humidity  
 • Cases are equipped with drains; check your local building codes for connection requirements.  
 • Specification subject to change without notice  
 IF COLORS ARE MIXED AN ADDITIONAL CHARGE WILL APPLY



## GR Series - Hinged Glass Doors Top Mount Refrigerators - 83"H

### Standard Specifications and Optional Features

#### CONSTRUCTION

- UL - Classified to ANSI/NSF 7
- Heavy Duty Construction
- Foamed in place CFC free foam
- Removable front grille for easy servicing
- 1, 2, 3, or 4 door models available
- Heavy duty edge mounted hinges

#### INTERIOR

- White aluminum ends and rear (optional black and stainless steel)
- White aluminum floors (optional black and stainless steel)
- Aluminum evaporator fan housing
- 4 Heavy duty epoxy coated shelves per door

#### EXTERIOR

- White aluminum ends and front (optional black and stainless steel)
- Triple pane glass doors 23-3/4" x 62-1/4"
- Doors - chrome finish ( white and stainless steel)
- Doors - black finish ( black)
- 5" Casters

#### LIGHTING

- Vertical LED light strips - standard
- 1 Dr = 2 LED light strips = 2 Lamps
- 2 Dr = 3 LED light strips = 4 Lamps
- 3 Dr = 4 LED light strips = 6 Lamps
- 4 Dr = 5 LED light strips = 8 Lamps

#### OPTIONAL FEATURES

- Door swing change
- Digital thermometer
- Extra shelf with clips
- Cantilever shelves
- Door locks
- Stainless steel, laminated or paint
- 6" Legs

#### ELECTRICAL REQUIREMENTS

- 10' Cord and plug see technical data
- UL/CUL listed
- 1, 2, 3 door units, 115V
- 4 door unit, 115V/208-230V

#### REFRIGERATION

- Top mounted condensing unit
- R134a refrigeration
- 1, 2, 3 Door units Capillary tube
- 4 Door unit Expansion valve
- Electronically controlled with audio alarm
- Automatic defrost
- Remote available
- ECM Motors

#### **Important Note:**

**All refrigerated cases are designed to operate in an environment of 75 degrees and 55% relative humidity. Product must be cooled before being displayed within the case.**

## GR Series - Hinged Glass Doors Top Mount Refrigerators - 83"H

### Technical Data/Refrigerators

| Model No.<br>REFRIGERATORS    | SC<br>R     | GR22<br>R-GR22        | GR48<br>R-GR48        | GR75<br>R-GR75                             | GR102<br>R-GR102                           |
|-------------------------------|-------------|-----------------------|-----------------------|--------------------------------------------|--------------------------------------------|
| Length                        |             | 26.50"                | 52.25"                | 78.00"                                     | 103.75"                                    |
| Height w/ casters             |             | 83.00"                | 83.00"                | 83.00"                                     | 83.00"                                     |
| Depth with drain cover handle |             | 36.50"                | 36.50"                | 36.50"                                     | 36.50"                                     |
| (Dimensions are +/- 1/4")     |             |                       |                       |                                            |                                            |
| Operating temperature         |             | 35°F to 39°F          | 35°F to 39°F          | 35°F to 39°F                               | 35°F to 39°F                               |
| Refrigerant                   | SC          | R134a                 | R134a                 | R134a                                      | R134a                                      |
| Remote Expansion Valve        | R           |                       |                       |                                            |                                            |
| System type                   |             | Capillary tube        | Capillary tube        | Capillary tube                             | Expansion valve                            |
| Compressor size HP            | SC          | 1/3                   | 1/3                   | 1/2                                        | 3/4                                        |
| Refrigeration system          |             | Electronic controlled | Electronic controlled | Electronic controlled                      | Electronic controlled                      |
| Defrost per day (24 hours)    | Air Defrost | Electronic controlled | Electronic controlled | Electronic controlled                      | Electronic controlled                      |
| Defrost per day               | R.          | 1 per day             | 1 per day             | 1 per day                                  | 1 per day                                  |
| BTU's at +20°F Evap. Temp.    | R           | 1300                  | 1900                  | 2600                                       | 3000                                       |
| Voltage                       | SC          | 115                   | 115                   | 115                                        | 115/208-230                                |
| Amperage                      | SC          | 10.2                  | 11.0                  | 13.8                                       | 6.4/7.1                                    |
| Voltage                       | R           | 115                   | 115                   | 115                                        | 115                                        |
| Amperage, lights, fans        | R           | 2.6                   | 3.4                   | 4.1                                        | 6.4                                        |
| Cord and plug                 | SC          | 5-15P                 | 5-15P                 | 5-20P                                      | L14-20P                                    |
|                               | R           | NO                    | NO                    | NO                                         | NO                                         |
| Exterior color                |             | W, B, S               | W, B, S               | W, B, S                                    | W, B, S                                    |
| Interior color                |             | W, B, S               | W, B, S               | W, B, S                                    | W, B, S                                    |
| Door size                     |             | 23.75" x 62.25"       | 23.75" x 62.25"       | 23.75" x 62.25"                            | 23.75" x 62.25"                            |
| Total shelves                 |             | 4                     | 8                     | 12                                         | 16                                         |
| Shelf size                    |             | (4) 21.175" x 22.500" | (8) 22.75" x 23.00"   | (8) 22.75" x 23.00"<br>(4) 25.00" x 23.00" | (8) 22.75" x 23.00"<br>(8) 25.00" x 23.00" |
| Cubic capacity                |             | 22                    | 48                    | 75                                         | 102                                        |
| <b>Shipping Info</b>          |             |                       |                       |                                            |                                            |
| Height                        |             | 86"                   | 86"                   | 86"                                        | 86"                                        |
| Depth                         |             | 44"                   | 44"                   | 44"                                        | 44"                                        |
| Length                        |             | 31"                   | 58"                   | 84"                                        | 109"                                       |
| Gross weight SC/R             |             | 330/215               | 520/405               | 720/595                                    | 980/830                                    |
| Cubic feet                    |             | 68                    | 127                   | 184                                        | 228                                        |

(ALL WHITE OR ALL BLACK, NO EXTRA CHARGE—IF COLORS ARE MIXED AN ADDITIONAL CHARGE WILL APPLY)

**Prefix**

SC = Self-contained  
R = Remote

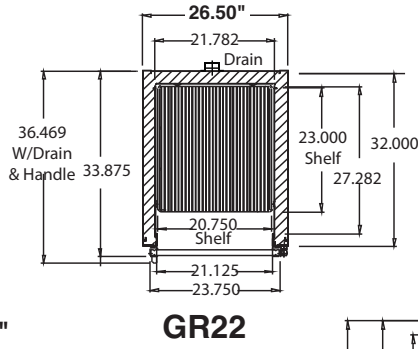
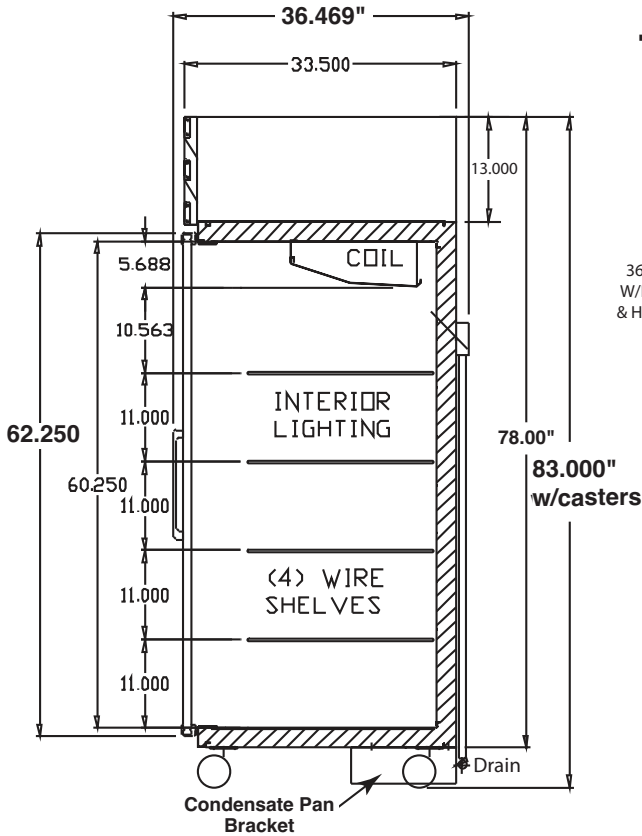
**Suffix**

B = Black  
W = White  
S = Stainless Steel  
LED = LED - lighting

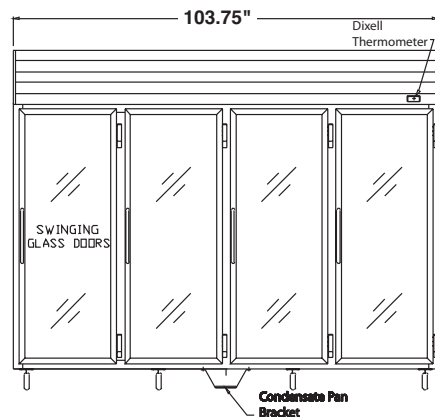
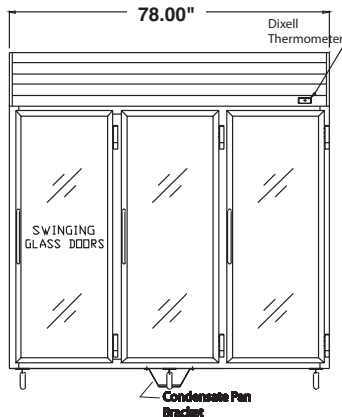
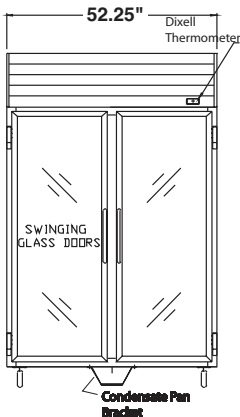
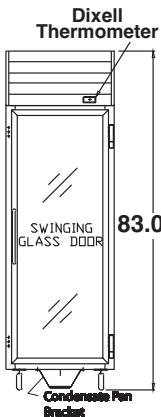
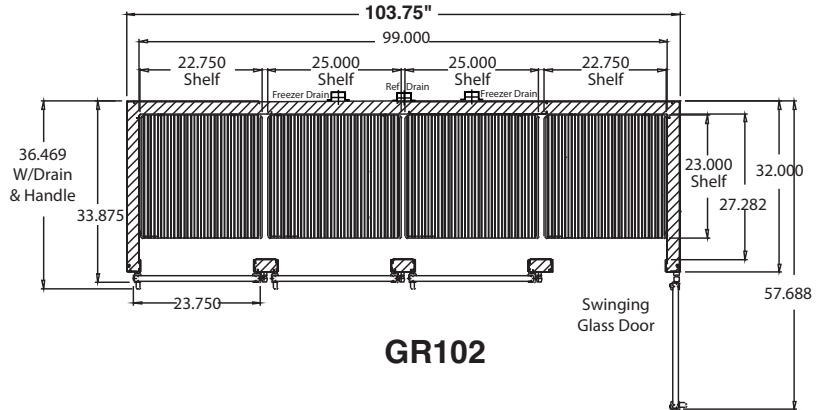
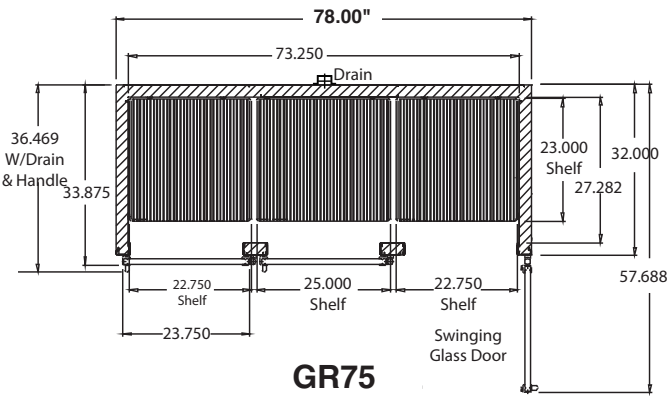
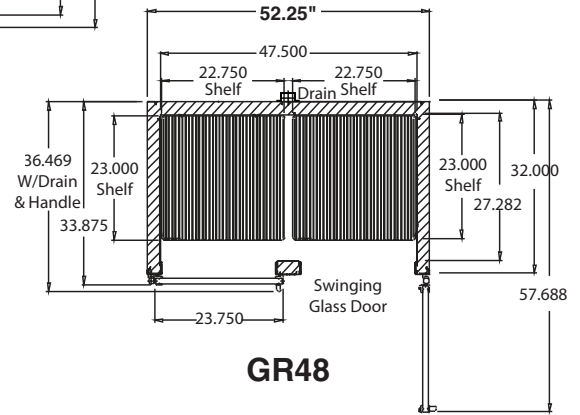
- Cases are designed to operate at 75 degrees Fahrenheit and 55% relative humidity
- Cases are equipped with drains; check your local building codes for connection requirements.
- Specification subject to change without notice
- Remotes supplied with R404A-Expansion Valve\* (does not include solenoid valves)
- All refrigerant and expansion values are subject to change per SNAP (EPA) regulations.

## GR Series - Hinged Glass Doors Top Mount Refrigerators - 83"H Technical Data • Side View • Plan View

### Cross Section



### Plan Views



### Front Views Swinging Glass Doors