

Open Merchandisers - Ovation Series Endless Design 60"H - Dairy

• PRODUCT SPECIFICATIONS SHEETS



- Cases are designed to operate at 75 degrees Fahrenheit and 55% relative humidity

Self-Contained Remote	SC-OD30E-3L-LS R-OD30E-3L-LS	SC-OD30E-4L-LS R-OD30E-4L-LS	SC-OD30E-6L-LS R-OD30E-6L-LS	SC-OD30E-8L-LS R-OD30E-8L-LS
Length with ends	39"	51"	75"	99"
Length without ends	36"	48"	72"	96"
Height with ends	60"	60"	60"	60"
Depth with ends	30"	30"	30"	30"
(Dimensions are +/-1/4")				

- Specification subject to change without notice

Open Merchandisers - Ovation Series Endless Design 60"H - Dairy

Standard Specifications and Optional Features

<p>CONSTRUCTION Foamed in place CFC free foam Heavy gauge steel super structure Multi deck Endless design allows for continuous line up</p>	<p>FINISHES Designer white or black end panels Designer white or black front bumper Designer white or black end trim Designer white or black rear</p>
<p>INTERIOR Designer white or black end panels Removable designer white or black floor pans Designer white or black perforated rear wall (<i>for even air distribution</i>) Full length lighting at top of unit 1 level of 12" lighted shelving 1 level of 14" lighted shelving 3 levels of product display Stylish tag molding on each shelf</p>	<p>REFRIGERATION R404A expansion valve system Low velocity fans located below deck area (<i>to insure even flow of air</i>) Pressure control maintains constant temperatures Automatic defrost controlled by time clock (<i>self contained units only</i>) Air screen technology Self contained system Copeland hermetic unit Remotes available DRAIN IS REQUIRED</p>
<p>EXTERIOR Designer white or black ends and front Designer white or black bumper Designer white or black end trim Removable front grille for cleaning and servicing Plexiglas on end panel</p>	<p>LIGHTING 1 row at inside top of unit 2 rows of lighted shelves</p>
<p>ELECTRICAL REQUIREMENTS Unit must be hard wired UL/CUL listed See Tech page for details on voltage</p>	<p><i>Important Note: All refrigerated cases are designed to operate in an environment of 75 degrees and 55% relative humidity.</i></p> <p><i>Important Note: Product must be cooled before being displayed within the case.</i></p> <p><i>Important Note: DRAIN IS REQUIRED</i></p>

OPTIONAL FEATURES

<p>Night covers Peg bars Condensate pan (4' case only) Insulated divider for line ups Electronic control system</p>	<p>Stainless steel, laminate or paint Product stops on shelving Security cover Plexiglas divider for line ups Digital thermometer</p>
---	---

(ALL WHITE OR ALL BLACK, NO EXTRA CHARGE—IF COLORS ARE MIXED AN ADDITIONAL CHARGE WILL APPLY)

Open Merchandisers - Ovation Series Endless Design 60"H - Dairy

Technical Data

Model	Self contained	SC-OD30E-3L-LS	SC-OD30E-4L-LS	SCOD30E-6L-LS	SC-OD30E-8L-LS
	Remote	R-OD30E-3L-LS	R-OD30E-4L-LS	R-OD30E-6L-LS	R-OD30E-8L-LS
Length with ends Length without ends Height with ends Depth with ends (Dimensions are +/- 1/4")		39" 36" 60" 30"	51" 48" 60" 30"	75" 72" 60" 30"	99" 96" 60" 30"
Operating temperature Refrigerant (expansion valve) Compressor size- HP Pressure control settings @ 75°F, 55%RH	Self contained Self contained	36°F to 40°F R404A 1/2	36°F to 40°F R404A 1/2	36°F to 40°F R404A 3/4	36°F to 40°F R404A 1
Defrost per day (24 hours) BTU's at +20°F Evap. Temp. Voltage Amperage Amperage, lights & fans Cord and plug	CUT IN CUT OUT Air Defrost Remote	87 43 3 @ 30 min. 3900 115V	87 43 3 @ 30 min. 5200 115V	87 43 3 @ 30 min. 7800 115/208-230V	87 43 3 @ 30 min. 10400 115/208-230V
Exterior color Interior color Inside end panels Floors	Self contained Remote	12.0A 1.4A No	13.7A 2.2A No	13.1A 2.8A No	14.3A 4.3A No
		White or Black White or Black White or Black White or Black	White or Black White or Black White or Black White or Black	White or Black White or Black White or Black White or Black	White or Black White or Black White or Black White or Black

(ALL WHITE OR ALL BLACK, NO EXTRA CHARGE—IF COLORS ARE MIXED AN ADDITIONAL CHARGE WILL APPLY)

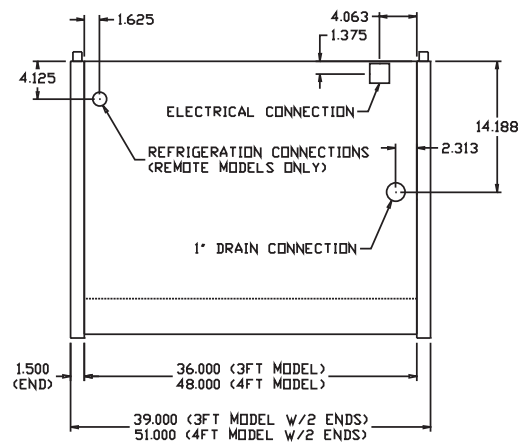
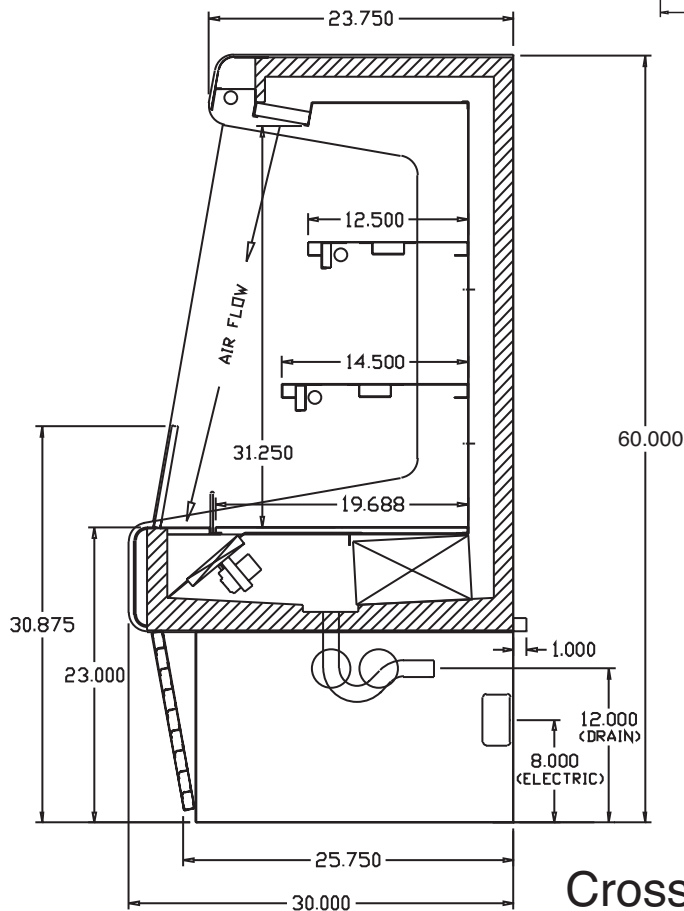
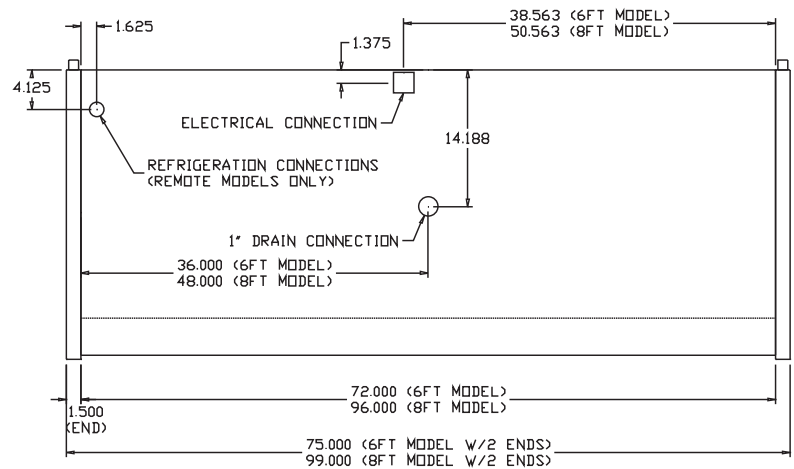
SHIPPING INFORMATION

Height		65"	65"	65"	65"
Depth		44"	44"	44"	44"
Length		61"	61"	87"	112"
Gross weight	Self contained Remote	505# 380#	585# 460#	810# 685#	1035# 860#
Cubic feet		99ft ³	99ft ³	142ft ³	300ft ³

- Cases are designed to operate at 75 degrees Fahrenheit and 55% relative humidity
- Cases are equipped with drains; check your local building codes for connection requirements.
- Specification subject to change without notice

Open Merchandisers - Ovation Series Endless Design 60"H - Dairy

Technical Data • Side View • Plan View



Plan View

Cross Section