

## Open Merchandisers - Ovations-Multi Purpose 44"H-Refrigerator - Endless Design

• PRODUCT SPECIFICATIONS SHEETS



• Cases are designed to operate at 75 degrees Fahrenheit and 55% relative humidity

Self-Contained Remote	SC-OS30E-3 R-OS30E-3	SC-OS30E-4 R-OS30E-4	SC-OS30E-6 R-OS30E-6
Length with ends	39"	51"	75"
Length without ends	36"	48"	72"
Height with ends	44"	44"	44"
Height without ends	43-7/8"	43-7/8"	43-7/8"
Depth with ends	30"	30"	30"
Depth without ends	29-1/2"	29-1/2"	29-1/2"
Endless Design	Yes	Yes	Yes

(Dimensions are +/-1/4")

• Specification subject to change without notice

## Open Merchandisers - Ovations-Multi Purpose 44"H-Refrigerator - Endless Design

### Standard Specifications and Optional Features

<p><b>CONSTRUCTION</b>          UL Classified to ANSI/NSF 7          Foamed in place CFC free foam          Heavy gauge steel super structure          Endless design allows for continuous line up          Wide view Plexiglas on front and ends</p>	<p><b>FINISHES</b>          Designer white or black end panels          Designer white or black front bumper          Designer white or black rear          Designer white or black end trim</p>
<p><b>INTERIOR</b>          Designer white or black end panels          Removable designer white or black floor racks          Designer white or black perforated rear wall (<i>for even air distribution</i>)          3 tier step rack</p>	<p><b>REFRIGERATION</b>          R134a expansion valve system          Automatic condensate          Low velocity fans located below deck area (<i>to insure even flow of air</i>)          Pressure control maintains constant temperatures          Auto defrost controlled by time clock (<i>self contained units only</i>)          Air screen technology          Self contained system          Copeland hermetic unit          Remotes available</p>
<p><b>EXTERIOR</b>          Designer white or black ends and front          Designer white or black bumper          Designer white or black end trim          Removable front grille for cleaning and servicing          7" of Plexiglass on end panel</p>	<p><b>LIGHTING</b></p>
<p><b>ELECTRICAL REQUIREMENTS</b>          115V/60Hz/1Ph          Cord and plug provided          UL/CUL listed</p>	<p><b><i>Important Note: All refrigerated cases are designed to operate in an environment of 75 degrees and 55% relative humidity.</i></b>   <b><i>Important Note: Product must be cooled before being displayed within the case.</i></b></p>

(ALL WHITE OR ALL BLACK, NO EXTRA CHARGE—IF COLORS ARE MIXED AN ADDITIONAL CHARGE WILL APPLY)

#### OPTIONAL FEATURES

<p>Remote available          Rear grille          Digital thermometer          Sandwich/ fruit racks</p>	<p>Stainless steel, laminate or paint          Night cover          Peg bars          Casters</p>
--	---



## Open Merchandisers - Ovarions-Multi Purpose 44"H-Refrigerator - Endless Design

### Technical Data

Model #	Self contained	SC-OS30E-3	SC-OS30E-4	SC-OS30E-6
	Remote	R-OS30E-3	R-OS30E-4	R-OS30E-6
Length with ends		39"	51"	75"
Length without ends		36"	48"	72"
Height with ends		44"	44"	44"
Height without ends		43-7/8"	43-7/8"	43-7/8"
Depth with ends		30"	30"	30"
Depth without ends (Dimensions are +/- 1/4")		29-1/2"	29-1/2"	29-1/2"
Operating temperature		36°F to 40°F	36°F to 40°F	36°F to 40°F
Refrigerant-(expansion valve)	Self contained	R134a	R134a	R134a
Compressor size- HP	Self contained	1/2	1/2	3/4
Pressure control settings at 75°F, 55% RH		CUT IN 29	29	29
		CUT OUT 12	12	12
Defrost per day (24 hours)	Air Defrost	6 @ 20 minutes	6 @ 20 minutes	6 @ 20 minutes
BTU's at +20°F Evap. Temp.	Remote	3100	4130	6200
Voltage		115V	115V	115V
Amperage	Self contained	12.0A	13.1A	16.0A
Amperage	Remote	0.7A	1.4A	1.4A
Cord and plug		Yes(15A)	Yes(20A)	Yes(20A)
Exterior color		White or Black	White or Black	White or Black
Interior color		White or Black	White or Black	White or Black
Inside end panels		White or Black	White or Black	White or Black
Floors		White or Black	White or Black	White or Black

(ALL WHITE OR ALL BLACK, NO EXTRA CHARGE—IF COLORS ARE MIXED AN ADDITIONAL CHARGE WILL APPLY)

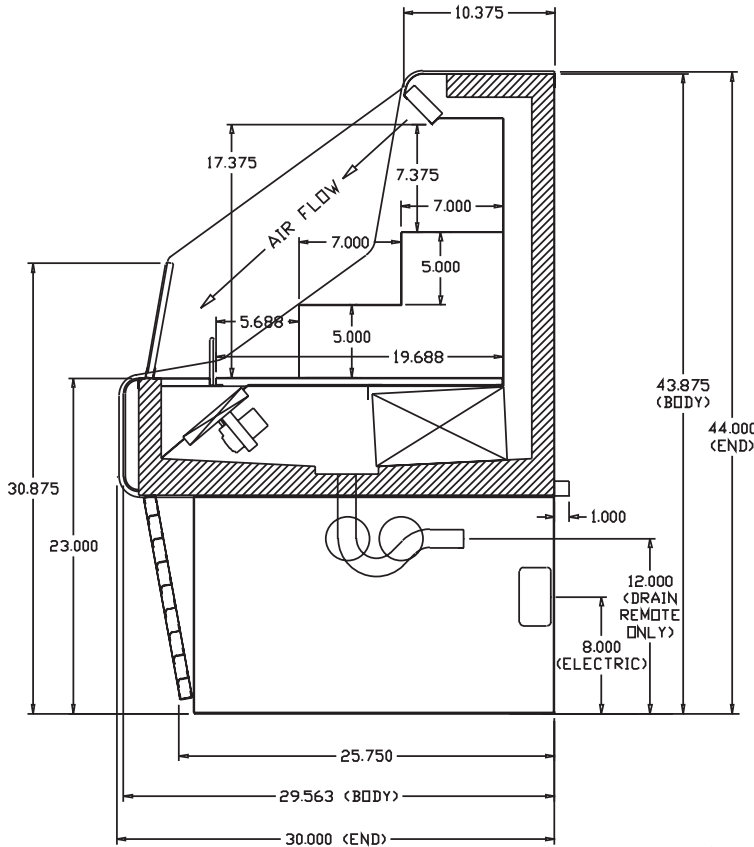
### SHIPPING INFORMATION

Height		49"	49"	49"
Depth		44"	44"	44"
Length		61"	61"	87"
Gross weight	Self contained	330#	360#	495#
	Remote	205#	235#	345#
Cubic feet		76ft <sup>3</sup>	76ft <sup>3</sup>	109ft <sup>3</sup>

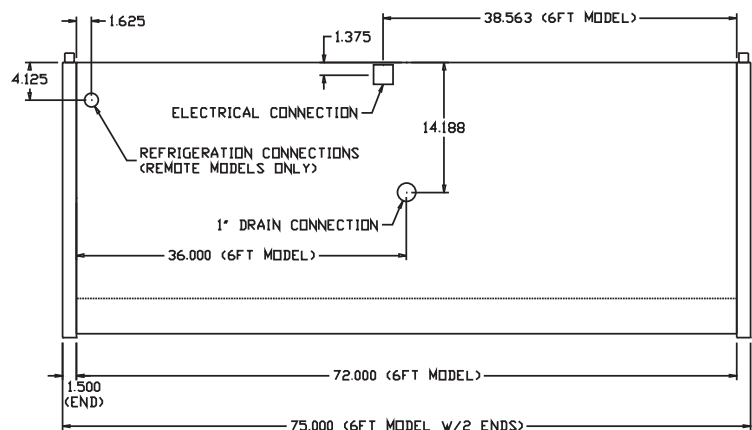
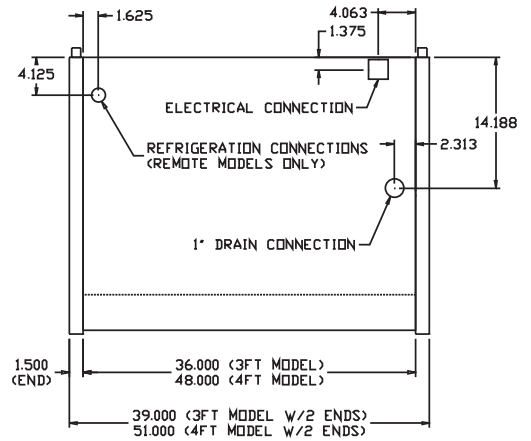
- Cases are designed to operate at 75 degrees Fahrenheit and 55% relative humidity
- Cases are equipped with drains; check your local building codes for connection requirements.
- Specification subject to change without notice

## Open Merchandisers - Ovations-Multi Purpose 44"H-Refrigerator - Endless Design

### Technical Data • Side View • Plan View



Cross Section



Plan View