

Open Merchandisers 30E Series – 60" - Endless Design - Meat



Model No.	Description	Length	Depth	Height	Voltage	Amps	HP/BTUs	Power Cord	Est. Ship Weight
SC-OM30E-3L-LED	Self Contained	39"	30"	60"	115	11.9	1/2	5-15P	505
SC-OM30E-4L-LED	Self Contained	51"	30"	60"	115	13.4	1/2	5-20P	585
SC-OM30E-5L-LED	Self Contained	63"	30"	60"	115/208-230	11.3	3/4	L14-20P	698
SC-OM30E-6L-LED	Self Contained	75"	30"	60"	115/208-230	11.3	3/4	L14-20P	810
R-OM30E-3L-LED	Remote	39"	30"	60"	115	1.2	3360	NO	455
R-OM30E-4L-LED	Remote	51"	30"	60"	115	1.9	4480	NO	527
R-OM30E-5L-LED	Remote	63"	30"	60"	115	2.4	5600	NO	628
R-OM30E-6L-LED	Remote	75"	30"	60"	115	2.4	6720	NO	728

MODEL NUMBER PREFIX - SC = Self Contained R = Remote
 MODEL NUMBER SUFFIX - W = White B = Black S = Stainless Steel LED = LED lighting
 • Cases are designed to operate at 75 degrees Fahrenheit and 55% relative humidity
 • Cases are equipped with drains; check your local building codes for connection requirements.
 • Self-contained cases do not require drain connect.
 • Specification subject to change without notice
 IF COLORS ARE MIXED AN ADDITIONAL CHARGE WILL APPLY



Open Merchandisers 30E Series – 60" - Endless Design - Meat

Standard Specifications and Optional Features

CONSTRUCTION

- UL Classified to ANSI/NSF 7
- Foamed in place CFC free foam
- Heavy gauge steel super structure
- Multi deck
- Endless design allows for continuous line up

INTERIOR

- White, black, or stainless steel end panels
- Removable white, black, or stainless steel floor pans
- White, black, or stainless steel perforated rear wall (for even air distribution)
- Full length lighting at top of unit
- 2 levels of shelving with product stop
- 3 levels of product display
- Full length mirror to enhance product display
- Stylish tag molding on each shelf

EXTERIOR

- White, black, or stainless steel ends and front
- White, black, or stainless steel color band
- Removeable front grill allows for cleaning and servicing
- 1" bumper
- Choice of end panels

FINISHES

- White, black, or stainless steel end panels
- White, black, or stainless steel front rail
- White, black, or stainless steel front color band
- White, black, or stainless steel end trim
- Laminate, and custom paints available
- Coated galvanized rear

LIGHTING

- 1 row at inside top of unit
- 2 rows of lighted shelving

ELECTRICAL REQUIREMENTS

- Cord and Plug
- 3' 115V, 5-15P - 4' 115V, 5-20P,
- 5' & 6' 115V, L14-20P
- See Tech page for details on voltage

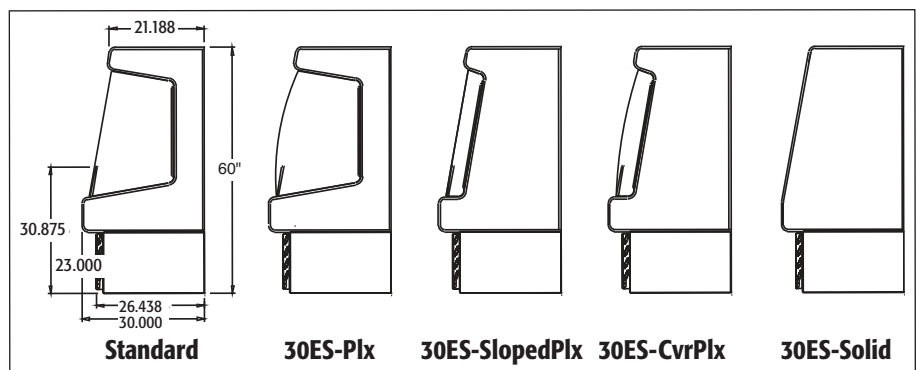
REFRIGERATION

- Self Contained - R404A expansion valve system
- Remote - R407A expansion valve system
- Low velocity fans located below deck area (to insure even flow of air)
- Electronic Control System with automatic air defrost to Maintain Balanced Temperatures
- New high efficiency air screen technology
- Self contained system
- Copeland hermetic unit
- Remotes available

OPTIONAL FEATURES

- LED lights
- Night covers
- Peg bars
- Security cover
- Step shelves
- Insulated divider for line ups
- Plexiglas divider for line ups
- Stainless steel, laminated or paint
- Product stops on shelving
- Colored bumper
- 5 Different end panel choices
- Digital thermometer

Important Note:
All refrigerated cases are designed to operate in an environment of 75 degrees and 55% relative humidity. Product must be cooled before being displayed within the case.
DRAIN IS REQUIRED



Open Merchandisers 30E Series – 60" - Endless Design - Meat Technical Data

Model No.	SC R	SC-OM30E-3L-LED R-OM30E-3L-LED	SC-OM30E-4L-LED R-OM30E-4L-LED	SC-OM30E-5L-LED R-OM30E-5L-LED	SC-OM30E-6L-LED R-OM30E-6L-LED
Length with (2) ends		39"	51"	63"	75"
Length without ends		36"	48"	60"	72"
Height with ends		60"	60"	60"	60"
Height without ends		59.5"	59.5"	59.5"	59.5"
Depth with ends		30"	30"	30"	30"
Depth without ends		29"	29"	29"	29"
Endless design (Dimensions are +/- 1/4")		YES	YES	YES	YES
Operating temperature		34°F to 38°F	34°F to 38°F	34°F to 38°F	34°F to 38°F
Refrigerant (expansion valve)	SC / R	R404A / R407A	R404A / R407A	R404A / R407A	R404A / R407A
Compressor size HP	SC	1/2	1/2	3/4	3/4
Defrost per day (24 hours)	Air Defrost	6 per day	6 per day	6 per day	6 per day
BTU's at +20°F Evap. Temp.	R	3360	4480	5600	6720
Voltage	SC	115	115	115/208-230	115/208-230
Amperage	SC	11.9	13.4	11.3	11.3
Remote Voltage	R	115	115	115	115
Amperage, lights only, Fans	R	1.2	1.9	2.4	2.4
Cord and plug	SC R	5-15P NO	5-20P NO	L14-20P NO	L14-20P NO
Exterior color		W, B, S	W, B, S	W, B, S	W, B, S
Interior color		W, B, S	W, B, S	W, B, S	W, B, S
# of shelves		2	2	2	4
Shelf size depth		(1) 14" 16"	(1) 14" 16"	(1) 14" 16"	(2) 14" (2) 16"
Shipping Info					
Height		65"	65"	65"	65"
Depth		44"	44"	44"	44"
Length		49"	61"	73"	87"
Gross weight SC/R		505/455	585/527	698/628	810/729
Cubic feet		81	100	120	144

(ALL WHITE OR ALL BLACK, NO EXTRA CHARGE—IF COLORS ARE MIXED AN ADDITIONAL CHARGE WILL APPLY)

Prefix

SC = Self Contained
R = Remote

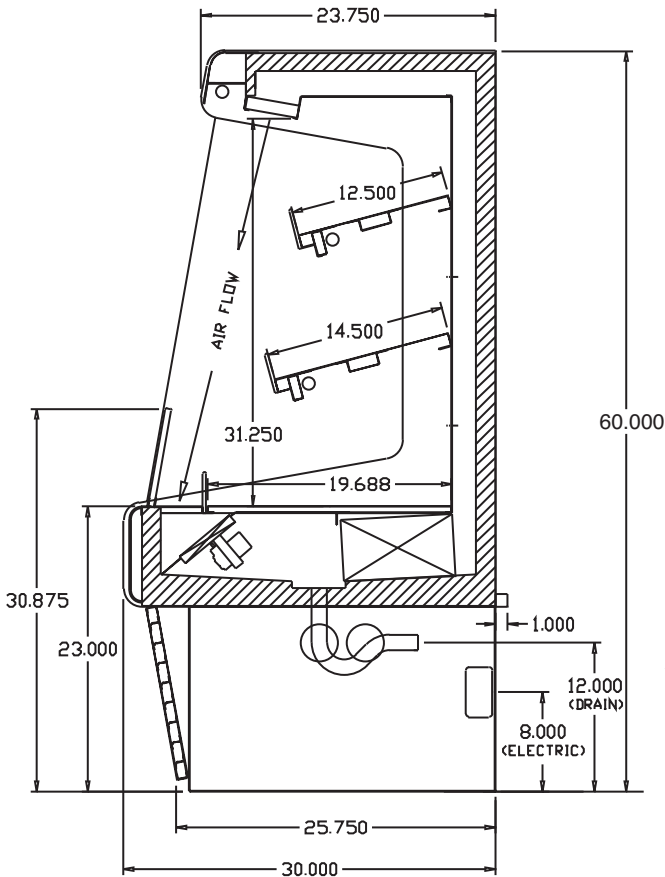
Suffix

B = Black
W = White
S = Stainless Steel
LS = T8 lighting
LED = LED lighting

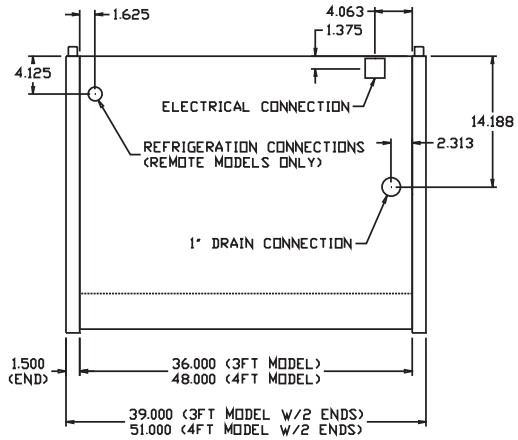
- Cases are designed to operate at 75 degrees Fahrenheit and 55% relative humidity
- Cases are equipped with drains; check your local building codes for connection requirements.
- Specification subject to change without notice

Open Merchandisers 30E Series – 60" - Endless Design - Meat

Technical Data • Cross Section • Plan View



Cross Section



Plan Views

