

## Open Merchandisers 32E Series – Endless Design - Dairy



Model No.	Description	Length	Depth	Height	Voltage	Amps	HP/BTUs	Power Cord	Est. Ship Weight
<b>SC-D32E-3-LS</b>	Self Contained	38"	30"	72"	115	12.0	1/2	5-15P	700
<b>SC-D32E-4-LS</b>	Self Contained	50"	30"	72"	115	13.7	1/2	5-20P	700
<b>SC-D32E-6-LS</b>	Self Contained	74"	30"	72"	115/208-230	13.1	1	L14-20P	965
<b>SC-D32E-8-LS</b>	Self Contained	98"	30"	72"	115/208-230	14.3	1	L14-20P	1175
<b>R-D32E-3-LS</b>	Remote	38"	30"	72"	115	1.4	3900	NO	575
<b>R-D32E-4-LS</b>	Remote	50"	30"	72"	115	2.2	5200	NO	575
<b>R-D32E-6-LS</b>	Remote	74"	30"	72"	115	2.8	7800	NO	790
<b>R-D32E-8-LS</b>	Remote	98"	30"	72"	115	4.3	10400	NO	1000
<b>R-D32E-10-LS</b>	Remote	122"	30"	72"	115	7.0	13000	NO	1365
<b>R-D32E-12-LS</b>	Remote	146"	30"	72"	115	8.0	15600	NO	1580

MODEL NUMBER PREFIX - SC = Self Contained R = Remote  
 MODEL NUMBER SUFFIX - W = White B = Black S = Stainless Steel LED = LED lighting  
 • Cases are designed to operate at 75 degrees Fahrenheit and 55% relative humidity  
 • Cases are equipped with drains; check your local building codes for connection requirements.  
 • Specification subject to change without notice  
 IF COLORS ARE MIXED AN ADDITIONAL CHARGE WILL APPLY



## Open Merchandisers 32E Series – Endless Design - Dairy

### Standard Specifications and Optional Features

#### CONSTRUCTION

- UL Classified to ANSI/NSF 7
- Foamed in place CFC free foam
- Heavy gauge steel super structure
- Multi deck
- Endless design allows for continuous line up

#### INTERIOR

- White, black, or stainless steel end panels
- Removable white, black, or stainless steel floor pans
- White, black, or stainless steel perforated rear wall (for even air distribution)
- Full length lighting at top of unit
- 3 levels of lit shelving
- 4 levels of product display
- Stylish tag molding on each shelf

#### EXTERIOR

- White, black, or stainless steel ends and front
- White, black, or stainless steel color band
- Removeable front grill allows for cleaning and servicing
- 1" bumper
- Choice of end panels

#### FINISHES

- White, black, or stainless steel end panels
- White, black, or stainless steel front rail
- White, black, or stainless steel front color band
- White, black, or stainless steel end trim
- Laminate, and custom paints available
- Coated galvanized rear

#### LIGHTING

- 1 row at inside top of unit
- 3 rows of lighted shelving

#### ELECTRICAL REQUIREMENTS

- Unit comes with cord and plug
- UL/CUL listed
- See Tech page for details on voltage

#### REFRIGERATION

- R404A expansion valve system
- Low velocity fans located below deck area (to insure even flow of air)
- Electronic Control System with automatic air defrost to Maintain Balanced Temperatures
- New high efficiency air screen technology
- Self contained system
- Copeland hermetic unit
- Remotes available

#### OPTIONAL FEATURES

- LED lights
- Night covers
- Security cover
- Peg bars
- Insulated divider for line ups
- Plexiglas divider for line ups
- Colored bumper
- Stainless steel, laminated or paint
- Product stops on shelving
- Digital thermometer

#### **Important Note:**

**All refrigerated cases are designed to operate in an environment of 75 degrees and 55% relative humidity. Product must be cooled before being displayed within the case.**

**DRAIN IS REQUIRED**

## Open Merchandisers 32E Series – Endless Design - Dairy

### Technical Data

Model No.	SC R	SC-D32E-3-LS R-D32E-3-LS	SC-D32E-4-LS R-D32E-4-LS	SC-D32E-6-LS R-D32E-6-LS	SC-D32E-8-LS R-D32E-8-LS	R-D32E-10-LS	R-D32E-12-LS
Length with (2) ends		38"	50"	74"	98"	122"	146"
Length without ends		36"	48"	72"	96"	120"	143"
Height with ends		72"	72"	72"	72"	72"	72"
Height without ends		71.5"	71.5"	71.5"	71.5"	71.5"	71.5"
Depth with ends		30"	30"	30"	30"	31.25"	31.25"
Depth without ends		29.5"	29.5"	29.5"	29.5"	30.75"	30.75"
Endless design		YES	YES	YES	YES	YES	YES
(Dimensions are +/- 1/4")							
Operating temperature		36°F to 40°F	36°F to 40°F	36°F to 40°F	36°F to 40°F	36°F to 40°F	36°F to 40°F
Refrigerant (exp. valve)	SC	R404A	R404A	R404A	R404A	R404A	R404A
Compressor size HP	SC	1/2	1/2	1	1		
Defrost per day (24 hours)	Air Defrost	6 per day	6 per day	6 per day	6 per day	6 per day	6 per day
BTU's at +20°F Evap. Temp.	R	3900	5200	7800	10400	13000	15600
Voltage	SC	115	115	115/208-230	115/208-230		
Amperage	SC	12	13.7	13.1	14.3		
Remote Voltage	R	115	115	115	115	115	115
Amperage, lights only	R	1.4	2.2	2.8	4.3	7.0	8.0
Cord and plug	SC R	5-15P NO	5-20P NO	L14-20P NO	L14-20P NO	NO	NO
Exterior color		W, B, S	W, B, S	W, B, S	W, B, S	W, B, S	W, B, S
Interior color		W, B, S	W, B, S	W, B, S	W, B, S	W, B, S	W, B, S
# of rows / shelves		3	3	3	3	3	3
Shelf size depth		(1) 12" (2) 14"	(1) 12" (2) 14"	(2) 12" (4) 14"	(2) 12" (4) 14"	(3) 12" (6) 14"	(4) 12" (8) 16"
Shipping Info							
Height		76"	76"	76"	76"	76"	76"
Depth		44"	44"	44"	44"	44"	44"
Length		49"	61"	87"	109"	132"	157"
Gross weight SC/R		700/575	700/575	965/790	1175/1000	NA/1365	NA/1580
Cubic feet		Call for Info	116	164	206	Call for Info	Call for Info

**(ALL WHITE OR ALL BLACK, NO EXTRA CHARGE—IF COLORS ARE MIXED AN ADDITIONAL CHARGE WILL APPLY)**

#### Prefix

SC = Self Contained  
R = Remote

#### Suffix

B = Black  
W = White  
S = Stainless Steel  
LS = T8 lighting  
LED = LED lighting

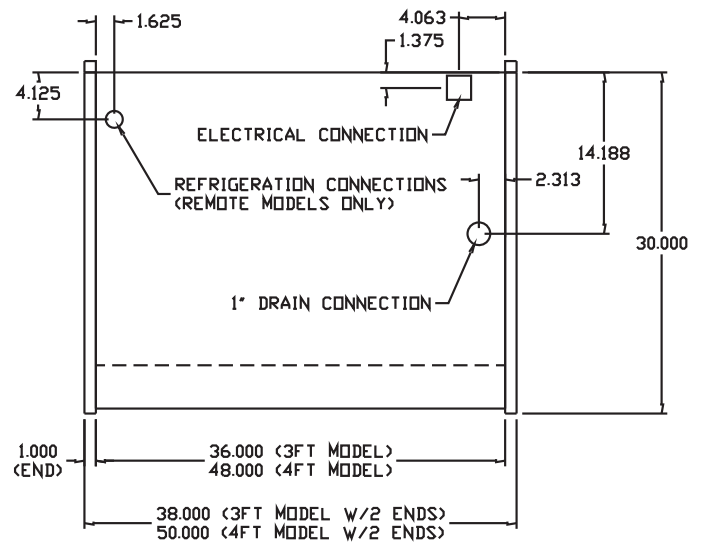
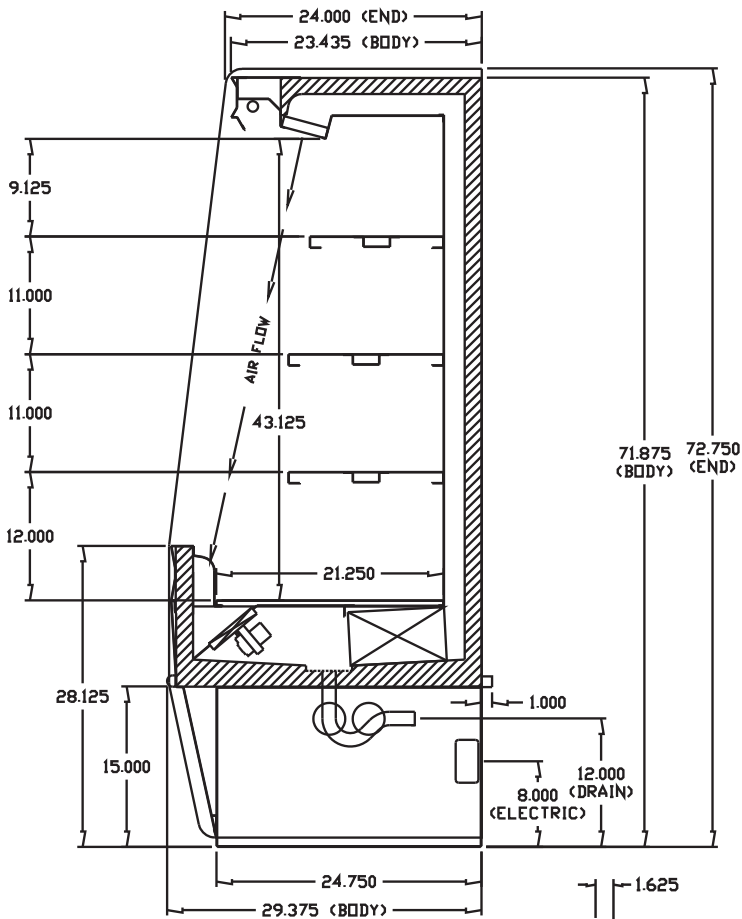
- Cases are designed to operate at 75 degrees Fahrenheit and 55% relative humidity
- Cases are equipped with drains; check your local building codes for connection requirements.
- Specification subject to change without notice

## Open Merchandisers 32E Series – Endless Design - Dairy

### Technical Data • Side View • Plan View

Side View

SC-D32E



Plan Views

