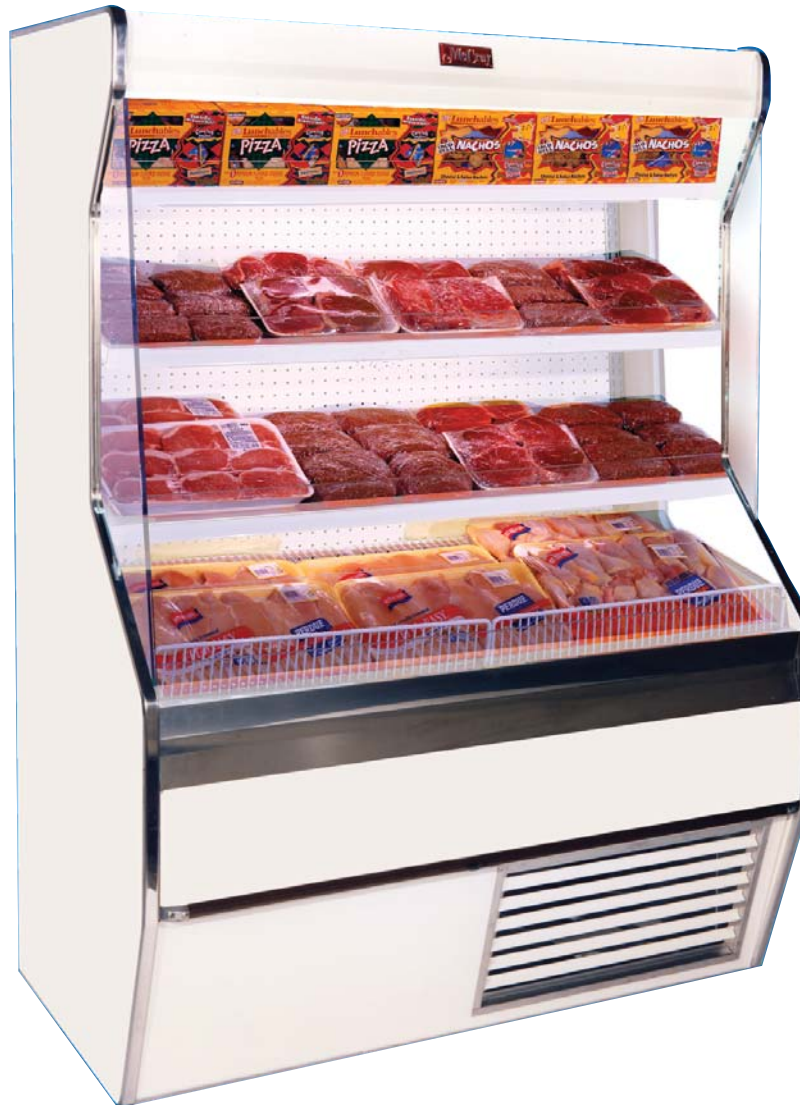


Open Merchandisers 32 Series – Endless Design - Meat

• PRODUCT SPECIFICATIONS SHEETS



- Cases are designed to operate at 75 degrees Fahrenheit and 55% relative humidity

Self-Contained	SC-M32E-3-LS	SC-M32E-4-LS	SC-M32E-6-LS	
Remote	R-M32E-3-LS	R-M32E-4-LS	R-M32E-6-LS	R-M32E-8-LS
Length with ends	38"	50"	74"	98"
Length without ends	36"	48"	72"	96"
Height with ends	72-3/4"	72-3/4"	72-3/4"	72-3/4"
Height without ends	71-7/8"	71-7/8"	71-7/8"	71-7/8"
Depth with ends	29-3/8"	29-3/8"	29-3/8"	29-3/8"
(Dimensions are +/-1/4")				

- Specification subject to change without notice

Open Merchandisers 32 Series – Endless Design - Meat

Standard Specifications and Optional Features

<p>CONSTRUCTION Foamed in place CFC free foam Heavy gauge steel super structure Multi deck Endless design allows for continuous line up</p>	<p>FINISHES Designer white or black end panels Designer white or black front rail Designer white or black front color band Designer white or black end trim Coated galvanized rear</p>
<p>INTERIOR Designer white or black end panels Removable designer white or black floor pans Designer white or black perforated rear wall (<i>for even air distribution</i>) Full length lighting at top of unit 1 level of 12" lighted shelving with product stops 2 levels of 14" lighted shelving with product stops 4 levels of product display Over 50" of display area Stylish tag molding on each shelf</p>	<p>REFRIGERATION R404A expansion valve system Low velocity fans located below deck area (<i>to insure even flow of air</i>) Pressure control maintains constant temperatures Automatic defrost controlled by time clock (<i>self contained units only</i>) Air screen technology Self contained system Copeland hermetic unit Remotes available</p>
<p>EXTERIOR Designer white or black ends and front Designer white or black color-band Designer white or black end trim Removable front grille allows for cleaning and servicing 1" designer gray bumper</p>	<p>LIGHTING 1 row at inside top of unit 3 rows of lighted shelves</p>
<p>ELECTRICAL REQUIREMENTS Unit must be hard wired UL/CUL listed See Tech page for details on voltage</p>	<p><i>Important Note: All refrigerated cases are designed to operate in an environment of 75 degrees and 55% relative humidity.</i></p> <p><i>Important Note: Product must be cooled before being displayed within the case.</i></p> <p><i>Important Note: DRAIN IS REQUIRED</i></p>

OPTIONAL FEATURES

<p>Night covers Peg bars Step shelves Condensate pan-4' case only Insulated divider for line ups</p>	<p>4" of Plexiglas on end panel Stainless steel, laminated or paint Security cover Plexiglas divider for line ups Digital thermometer</p>
--	---

(ALL WHITE OR ALL BLACK, NO EXTRA CHARGE—IF COLORS ARE MIXED AN ADDITIONAL CHARGE WILL APPLY)



Open Merchandisers 32 Series – Endless Design - Meat

Technical Data

Model	Self contained	SC-M32E-3-LS	SC- M32E-4-LS	SC-M32E-6-LS	N/A
	Remote	R-M32E-3-LS	R-M32E-4-LS	R-M32E-6-LS	R-M32E-8-LS
Length with ends Length without ends Height with ends Height without ends Depth with ends (Dimensions are +/- 1/4")		38" 36" 72-3/4" 71-7/8" 29-3/8"	50" 48" 72-3/4" 71-7/8" 29-3/8"	74" 72" 72-3/4" 71-7/8" 29-3/8"	98" 96" 72-3/4" 71-7/8" 29-3/8"
Operating temperature Refrigerant (expansion valve) Compressor size HP Pressure control settings @ 75°F, 55%RH	Self contained Self contained	34°F to 38°F R404A 1/2	34°F-38°F R404A 1/2	34°F to 38°F R404A 1	34°F to 38°F R404A N/A
Defrost per day (24 hours) BTU's at +20°F Evap. Temp. Voltage Amperage Amperage Cord and plug	CUT IN CUT OUT Air Defrost Remote Self contained Remote	87 43 3 @ 30 min. 4200 115V 12.0A 1.4A No	87 43 3 @ 30 min. 5600 115V 14.5A 3.0A No	87 43 3 @ 30 min. 8400 115/208-230V 15.6A 5.6A No	N/A N/A N/A 11200 115V N/A 6.2A No
Exterior color Interior color Inside end panels Floors		White or Black White or Black White or Black White or Black	White or Black White or Black White or Black White or Black	White or Black White or Black White or Black White or Black	White or Black White or Black White or Black White or Black

(ALL WHITE OR ALL BLACK, NO EXTRA CHARGE—IF COLORS ARE MIXED AN ADDITIONAL CHARGE WILL APPLY)

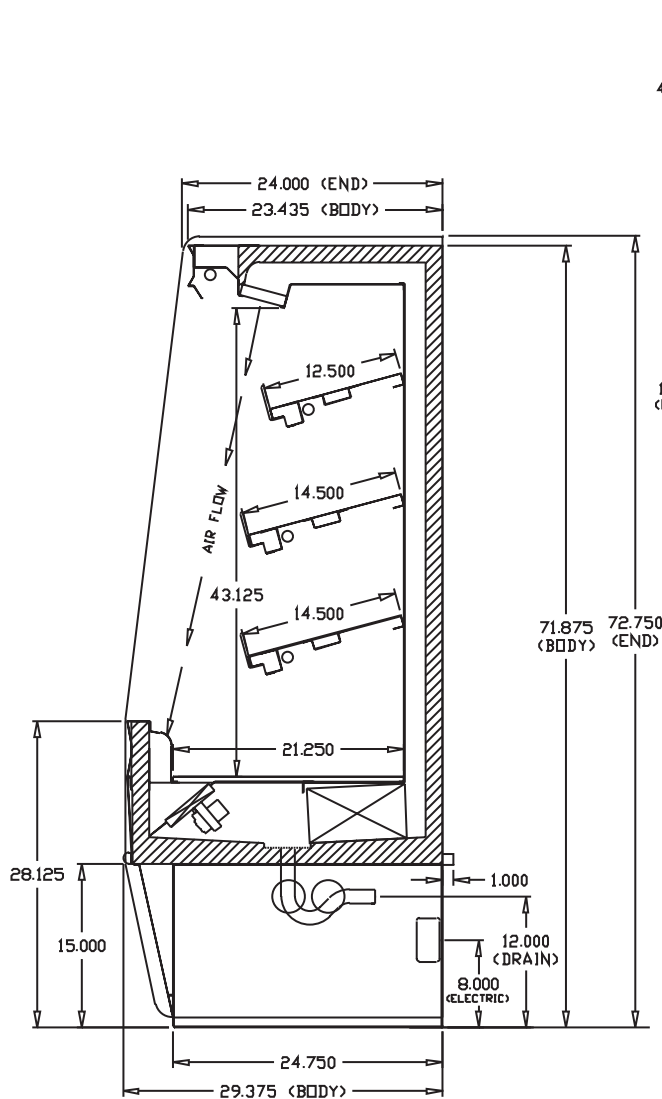
SHIPPING INFORMATION

Height		76"	76"	76"	76"
Depth		44"	44"	44"	44"
Length		61"	61"	87"	109"
Gross weight	Self contained Remote	700# 575#	700# 575#	965# 790#	1175# 1000#
Cubic feet		118ft ³	118ft ³	168ft ³	211ft ³

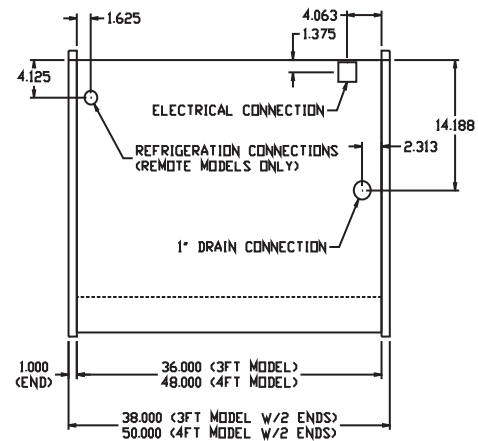
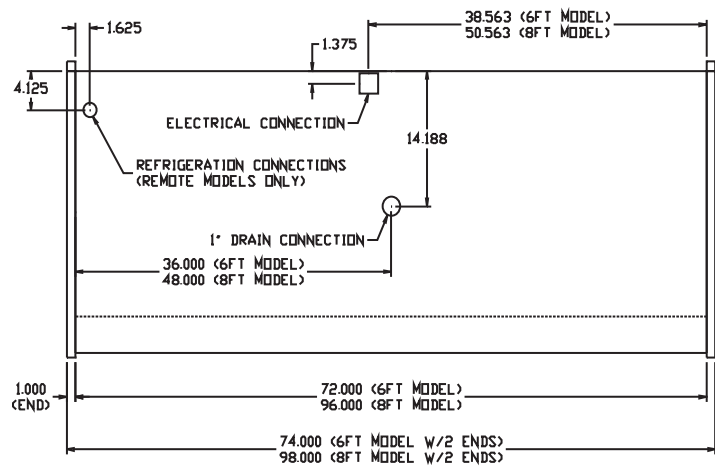
- Cases are designed to operate at 75 degrees Fahrenheit and 55% relative humidity
- Cases are equipped with drains; check your local building codes for connection requirements.
- Specification subject to change without notice

Open Merchandisers 32 Series – Endless Design - Meat

Technical Data • Side View • Plan View



Cross Section



Plan View